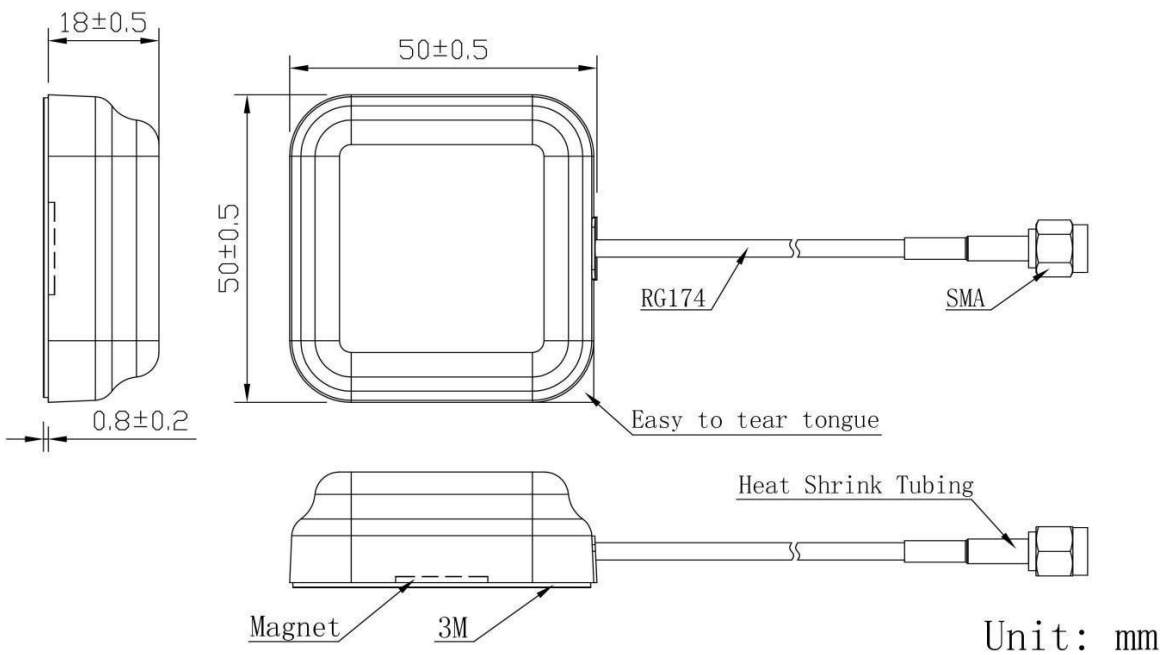


GLOBAL EAST ASIA TECHNOLOGY CO.,LTD

High Accuracy GNSS Active Antenna GL236



DIMENSIONS



Add: Room 816-818, Block B,BLDG 18, University Science Park(East), Zhengzhou City,P.R.Henan,China. Zip Code: 450051

Tel: 86-371-60911368

Email: info@global-antenna.com

GLOBAL EAST ASIA TECHNOLOGY CO.,LTD

SPECIFICATIONS

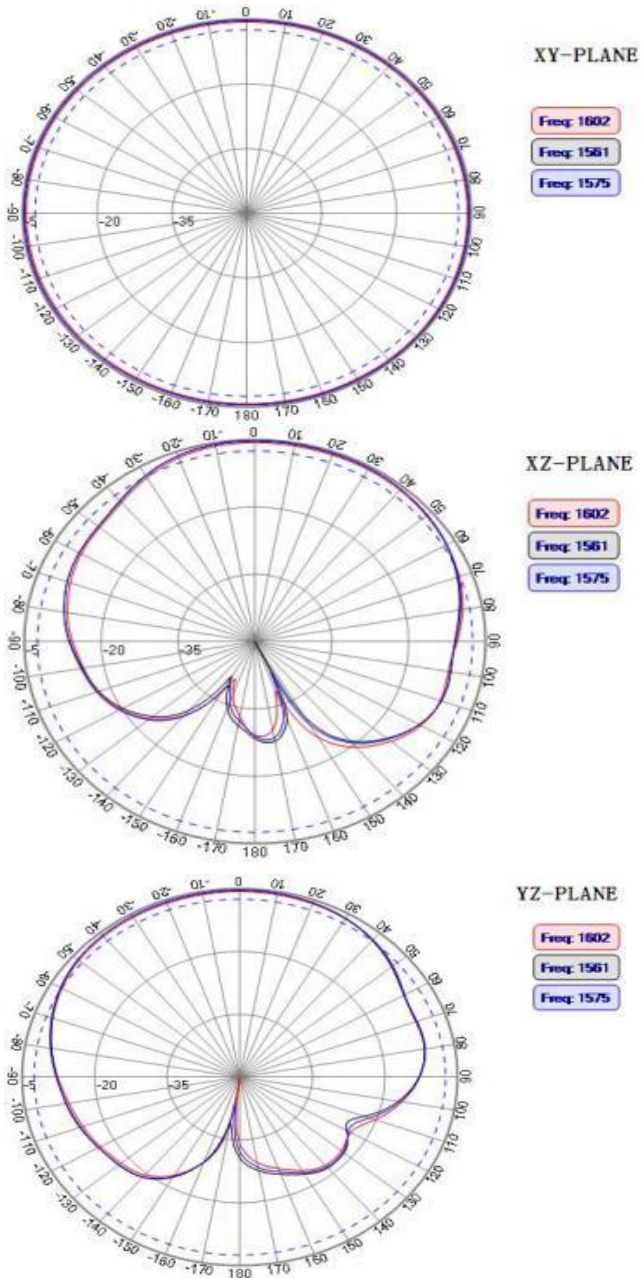
Item		Specifications
Antenna(2 pins)	Frequency Range	1561.098~1602MHz
	Polarization	RHCP
	Gain	5dBic@PCB (Zenith)
	V.S.W.R	<1.5
	Impedance	50 Ω
	Dimension	33.5*33.5*6mm
	Axial Ratio	3dB (max)
LNA	Gain	28±2dB
	Noise Figure	≤1.5dB
	Supply Voltage	3~5V DC
	Current Consumption	<20mA
	V.S.W.R	<2.0
Mechanical	Cable	RG174
	Connector	SMA or others
	Radome Material	ABS
	Mounting Method	Magnet/Adhesive
Environmental	Operating Temperature	-40℃~+85℃
	Relative Humidity	Up to 95%
	Ingress Protection	IP67
	Vibration	10 to 55Hz with 1.5mm amplitude 2hours
	Environmentally Friendly	ROHS Compliant

Add: Room 816-818, Block B,BLDG 18, University Science Park(East), Zhengzhou City,P.R.Henan,China. Zip Code: 450051

Tel: 86-371-60911368 **Email:** info@global-antenna.com

GLOBAL EAST ASIA TECHNOLOGY CO.,LTD

Radiation Pattern



Add: Room 816-818, Block B,BLDG 18, University Science Park(East), Zhengzhou City,P.R.Henan,China. Zip Code: 450051

Tel: 86-371-60911368 **Email:** info@global-antenna.com