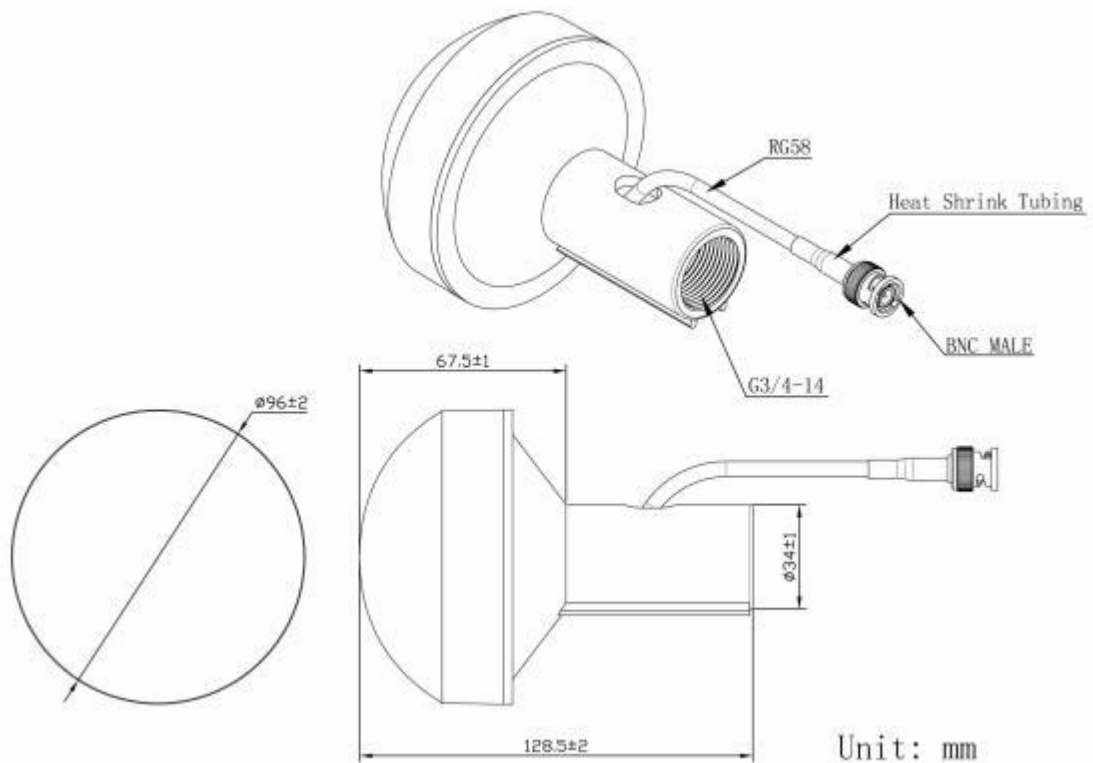


GNSS Active Antenna GL218D



DIMENSIONS



5

SPECIFICATIONS

Item	Specifications	
Antenna	Frequency Range	1559.052~1602MHz 1164~1259MHz
	Polarization	RHCP
	Axial Ratio	≤3dB
	V.S.W.R	≤2.0
	Peak Gain	≥3dBi
	Impedance	50 Ω
	Horizontal Coverage Angle	360°
	Vertical Coverage Angle	5°~90°
LNA	Gain	B1/L1/G1/E1/E2: 40±2dB B2/L2/G2/L5/E5a/E5b: 42±2dB
	Noise Figure	≤1.5dB
	Supply Voltage	3.3~12V DC
	Current Consumption	≤60mA
	V.S.W.R	≤2.0
Mechanical	Cable	RG58 or others
	Connector	BNC or others
	Dimension	Φ96mm
	Mounting Method	Screw
	Radome Material	ABS
Environmental	Operating Temperature	-40℃~+70℃
	Storage temperature	-40℃~+70℃
	Relative Humidity	Up to 95% (Non condensing)
	Ingress Protection	IP67