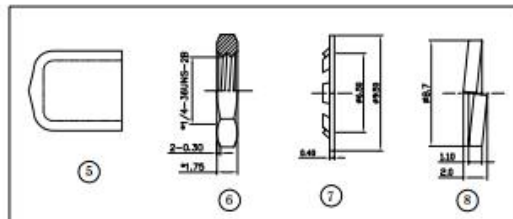
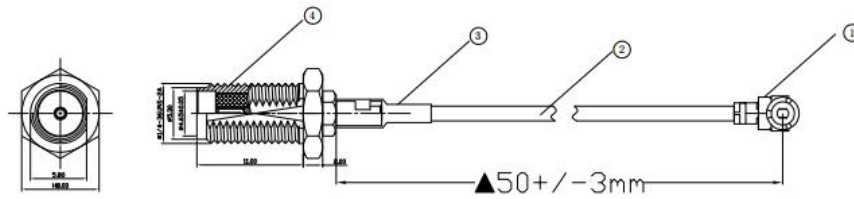


GLOBAL EAST ASIA(HongKong) TECHNOLOGY CO.,LTD

PN: GL-DYC20



unit: mm

Unspecified dimensional tolerance

50>a>0:±0.05; 100>a>50: 0.08;

200>a>100: 0.10; a>200: 0.15;

Unspecified angle tolerance:±0.1°

Serial number	Name	Specification	Materials	Remarks
8	washer	∅ 8.7	gold-plated silver	
7	Washer	∅ 9.5*6.5	gold-plated silver	
6	Nut	1/4-36UNS-2B}	gold-plated silver	
5	Dust cap	∅ 7*10 red	silicon	
4	Connector	SMA female	FEP, gold-plated silver	
3	Heat Shrinkable Tube	∅ 2.5*15	EVA	
2	Cable	RG1.37 single silver and balck	Cu,FEP,Silver,etc.	
1	Terminal	Ipex 1 st Generation	Copper	

Technical Requirement

1. The cable is free from skin damage, scratches, broken network and broken core;
2. No shrinkage, cracks, deformation, burrs and impurities. Equal injection defects;
3. Ensure that the surface is smooth, clean and free from oil stains and scratches. Sand holes and cracks;
4. Unmarked tolerance shall be in accordance with the requirements of unmarked tolerance

Add: Room 816-818, Block B,BLDG 18, University Science Park(East), Zhengzhou City,P.R.Henan,China. Zip Code: 450051

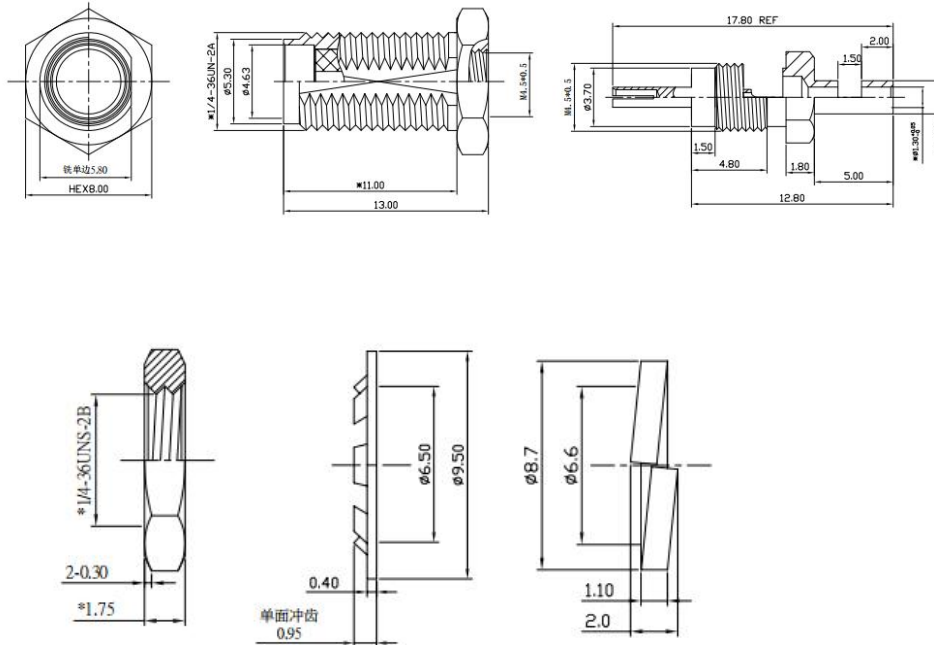
Tel: 86-371-60911368

Email: info@global-antenna.com

Web: <https://www.global-antenna.com>

GLOBAL EAST ASIA(HongKong) TECHNOLOGY CO.,LTD

SMA female drawing



Electronic Performance:

- 1, Standard impedance: 50ohms
- 2, Frequency Range: 0-6GHz
- 3, V.S.W.R: 1.5 MAX
- 4, Work Voltage: 335-500VOLTS
- 5, Dielectric withstand voltage: 500-1500 VRMS

Add: Room 816-818, Block B, BLDG 18, University Science Park(East), Zhengzhou City, P.R. Henan, China. Zip Code: 450051

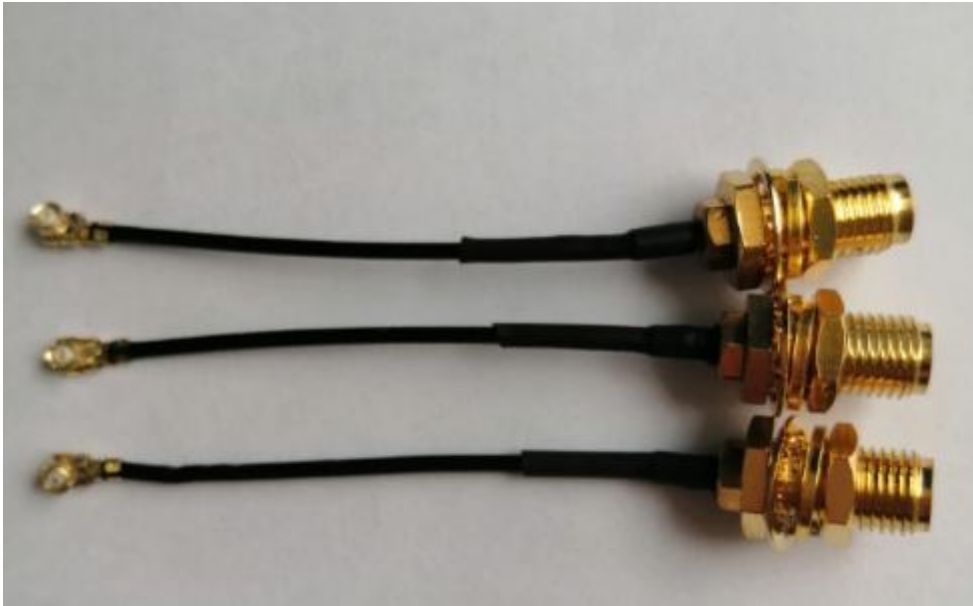
Tel: 86-371-60911368

Email: info@global-antenna.com

Web: <https://www.global-antenna.com>

GLOBAL EAST ASIA(HongKong) TECHNOLOGY CO.,LTD

Product outline



Add: Room 816-818, Block B,BLDG 18, University Science Park(East), Zhengzhou City,P.R.Henan,China. Zip Code: 450051

Tel: 86-371-60911368 **Email:** info@global-antenna.com **Web:** <https://www.global-antenna.com>