

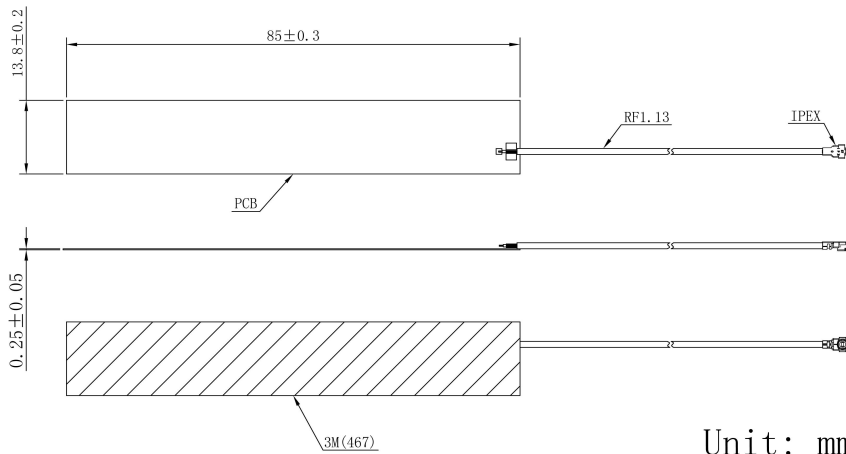
GLOBAL EAST ASIA TECHNOLOGY CO.,LTD

P/N: GL-DY155L



Item	Specifications	
Antenna	Frequency Range	698~4000MHz
	Polarization	Linear
	Gain	1.2dBi@698MHz
		5.2dBi@1710MHz
		2.7dBi@3300MHz
	V.S.W.R	<3.0
	Impedance	50Ω
FPC Dimension	85*13.8*0.2mm	
Mechanical	Cable	RF1.13 or others
	Connector	IPEX
	Mounting Method	Adhesive&Embedded
Environmental	Operating Temperature	-40℃~+85℃
	Vibration	10 to 55Hz with 1.5mm amplitude 2hours
	Environmentally Friendly	ROHS Compliant

Drawing Size:



Unit: mm